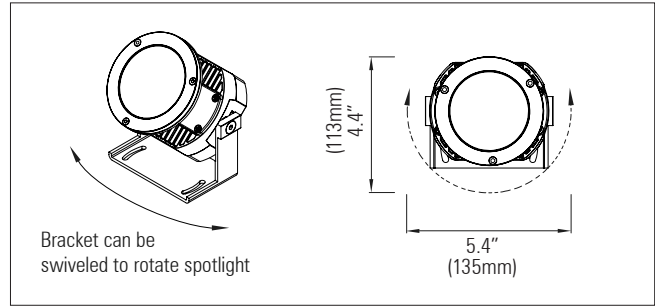
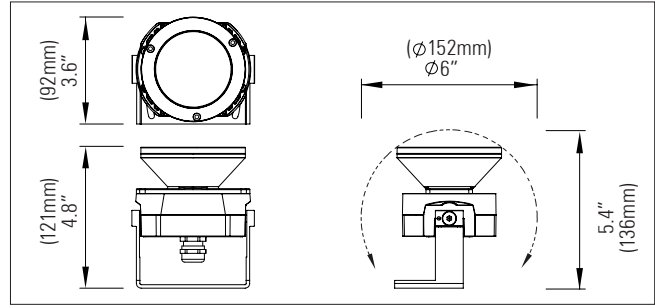
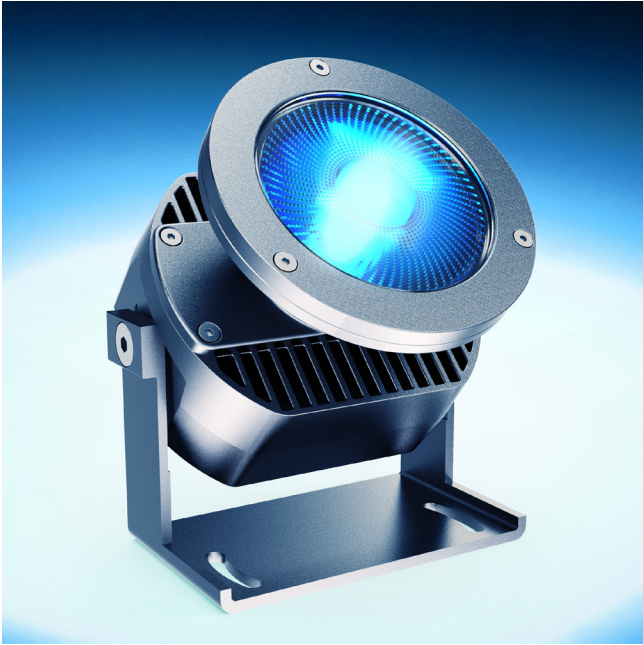


## D 100 RGBW IP66 Class 2

1 x high-power RGBW LED cluster with ultra narrow beam lens

Exterior LED spotlight range



Bracket can be swiveled to rotate spotlight

### D 100 IP66 Spotlight with 1 x high-power RGBW LED cluster array comprising of 4 x RGBW LEDs, with ultra narrow beam collimator lens

Exterior LED spotlight range with integral LV DC to DC driver or remote AC to DC driver and extremely narrow beam for highly controlled, creative decorative lighting effects

#### Product description:

The D 100 IP66 spotlight range was developed for use in architectural, landscape and garden lighting applications, which require powerful, highly controlled lighting effects

Each spotlight comprises of: 1 x high-power RGBW LED cluster array comprising of 4 x RGBW LEDs, with Gaggione LLC06U collimator lens with ultra narrow spot beam

Up to 10 Watts per spotlight

Rotatable in two axes using the adjustable angle brackets. Other mounting brackets are also available including custom designs to meet project requirements

Both integral LV DC to DC driver and remote AC to DC driver versions are available - internal driver boards are potted in silicone resin

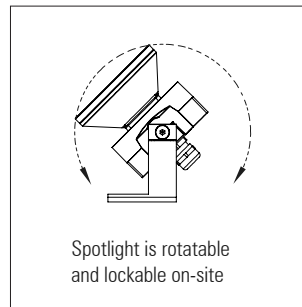
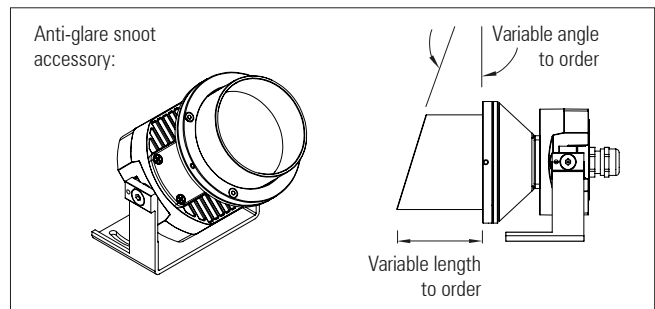
Dimming options available: 1-10V, DMX and DALI. Separate dimming channel

Various coloured LED and white light colour temperature and CRI options available. Each of the 4 LEDs within the cluster of 4 LEDs can be a different colour, or white light colour temperature. Custom combinations can be specified. See grid for options

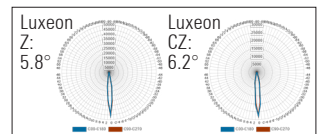
Satin black, satin white or any RAL paint colour finish

Custom anti-glare snoot accessories ensure excellent visual comfort

Low iron UV block glass covers or UV stable polycarbonate window



Up to 900 Lumens per spotlight with all 4 LEDs on full power



Product Code	IP	LED Type	LED Colour or white LED Colour Temp.(K)	CRI	Optics (°)	Anti-glare snoot	Fixing Type	Cover	Finish
D 100 IP66 ULTRA NARROW LENS RGBW REMOTE DRIVER	66	LUMILEDS: Cluster of 4x LUXEON Z or CZ LEDs - RGBW	Specify colour / colour temp. for each of the 4 LEDs in the LED cluster array:		70 80 90	Gaggione LLC06U Ultra narrow lens:  Luxeon Z LEDs: 5.8°  Luxeon CZ LEDs: 6.2°	Adjustable angle  Fixed angle  Custom height adjustable angle (specify leg height)  Custom solution	Low iron UV block glass  UV stable PC	Black White Any RAL colour
D 100 IP66 ULTRA NARROW LENS RGBW INTEGRAL DRIVER			Far Red, Deep Red, Red, Red-Orange, Amber, PC Amber, Mint, Lime, Green, Cyan, Blue, Royal Blue, Violet	22=2,200k 27=2,700k 30=3,000k 35=3,500k 40=4,000k 50=5,000k 57=5,700k 65=6,500k					